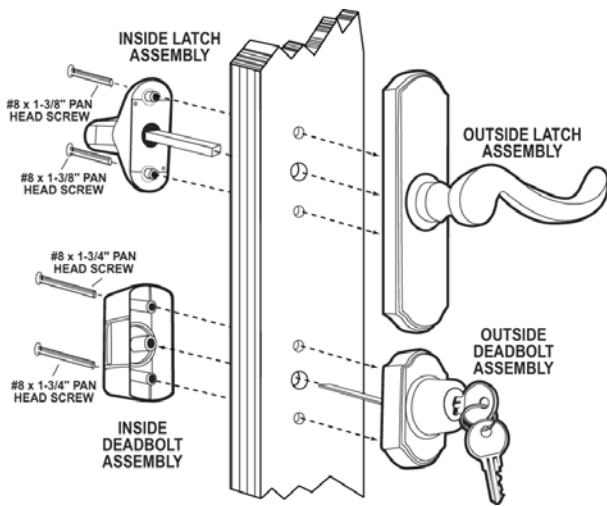


Normandy Installation Instructions



IMPORTANT: PLEASE READ INSTRUCTIONS THOROUGHLY BEFORE ATTEMPTING INSTALLATION.

Tools needed: #2 Phillips screw driver, tape, pencil, power drill with 1/8" and 3/8" drill bits (please note that your hardware kit includes a 21 mm spade bit for drilling center holes).

Drilling Instructions:

1. Place the drilling template on your storm door at the desired height, making sure that this hardware will not interfere with the prime door hardware. We recommend 38" to 40" from the bottom of the door to the center of the outside lever (see template).
2. Tape the template in position on the storm door as indicated on the template (fold template along dotted line prior to taping).
3. Follow the drilling instructions on the template.

Latch Assembly Installation:

1. Place spindle all the way into the inside latch assembly and tighten set screw with enclosed Allen wrench.
2. Guide inside latch assembly through the door handle holes and then align the outside latch assembly over the spindle. Hold the two assemblies together on door and then install the two #8 X 1 3/8" screws with #2 Phillips recess heads provided. Ensure the outside latch assembly appears straight with door before tightening the two screws. Tighten securely but do not over-tighten or you may experience a "binding" of the latch. Check by moving the lever down or up all the way and letting go—it should return to the original position.
3. Latch bolt striker: Close door. From inside of the house, hold striker in position with the latch. Mark two holes with pencil and pre-drill jamb with a 1/8" bit. Install striker using shims provided if necessary.

Deadbolt Installation:

1. Locate the deadbolt assembly. Position the assembly on the spindle with the deadbolt throw facing the brick mold and secure with the two #8 X 1 3/4" screws with #2 Philips heads.

WARNING: DO NOT USE POWER SCREW DRIVERS TO TIGHTEN THESE SCREWS. WARRANTY WILL BE VOIDED IF OVERTIGHTENING, STRIPPED THREADS, OR BROKEN SCREW RESULT FROM THE USE OF POWER SCREW DRIVERS.